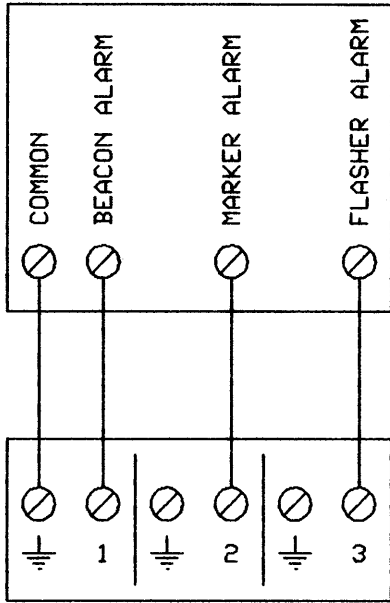


TLM-1

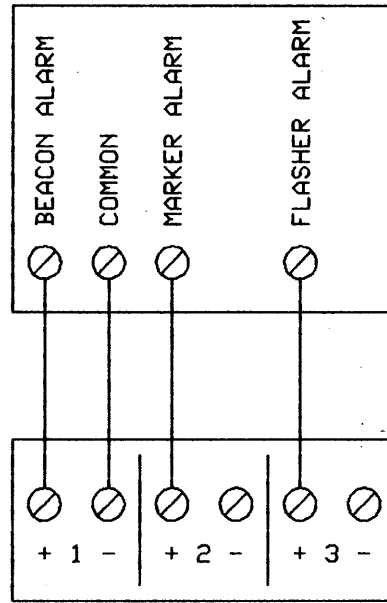


BURK ARC-16

IP-8 INTERFACE PANEL STATUS INPUTS

NOTE: SELECT "STATUS INVERT" FOR "SET POLARITY" IN CHANNEL SETUP

TLM-1



BURK/GENTNER GSC/URC

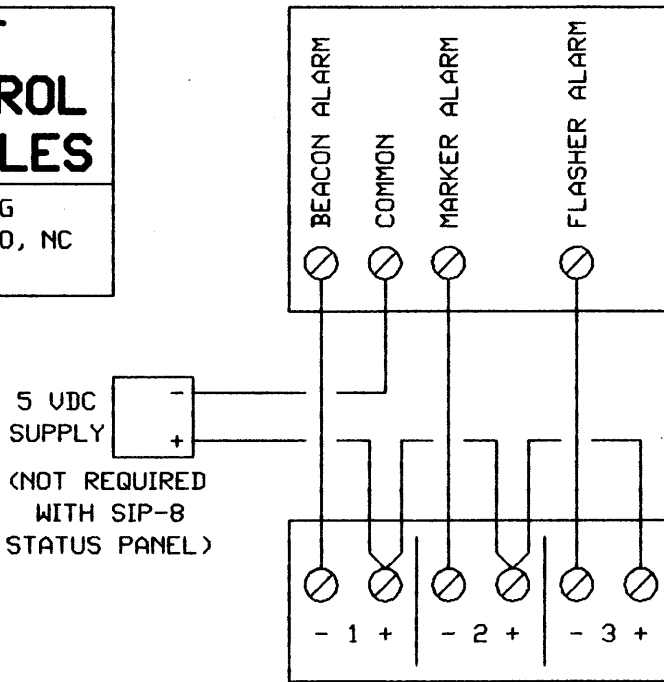
STATUS WIRING INTERFACE PANEL

NOTE: ENABLE "ALARM ON HIGH INPUT" IN STATUS CHANNEL SETUP

BROADCAST REMOTE CONTROL WIRING EXAMPLES

DWG ID: TOWERM10.DWG
FM SERVICES WILKESBORO, NC
TOWERMONITOR.COM

TLM-1



5 VDC SUPPLY
(NOT REQUIRED WITH SIP-8 STATUS PANEL)

SINE SYSTEMS RFC-1

RP-8 RELAY/TELEMETRY PANEL

NOTE: REFER TO INSTRUCTION MANUAL FOR STATUS INPUT SETUP